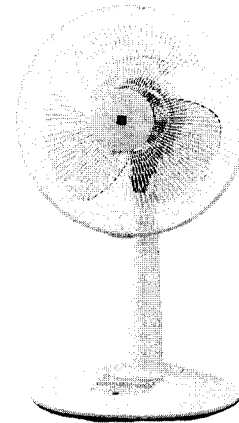




Service Manual

Electric Fan**Model No.****T30LS-C**


SPECIFICATIONS

Voltage (v)	Frequency (Hz)	Power (W)	r.p.m (r/min)	Air Velocity (m/min.)	Air Volume (m ³ /min.)	Oscillation	Cord Length (m)	Weight (Kg)	Dimension (mm)
220	50	33	1210	207	41	0° , 90°	2	3.7	H : 655 ~ 852
240	50	39	1250	214	43				W : 376
									D : 340

WARNING

This service information is designed for experienced repair technicians only and is not designed for use by the general public. It does not contain warnings or cautions to advise non-technical individuals of potential dangers in attempting to service a product. Products powered by electricity should be serviced or repaired only by experienced professional technicians. Any attempt to service or repair the product or products dealt with in this service information by anyone else could result in serious injury or death.

IMPORTANT SAFETY NOTICE

There are special components used in this equipment which are important for safety. These parts are marked by  in the Schematic Diagrams, Exploded Views and Replacement Parts List. It is essential that these critical parts should be replaced with manufacturer's specified parts to prevent shock, fire or other hazards. Do not modify the original design without permission of manufacture.

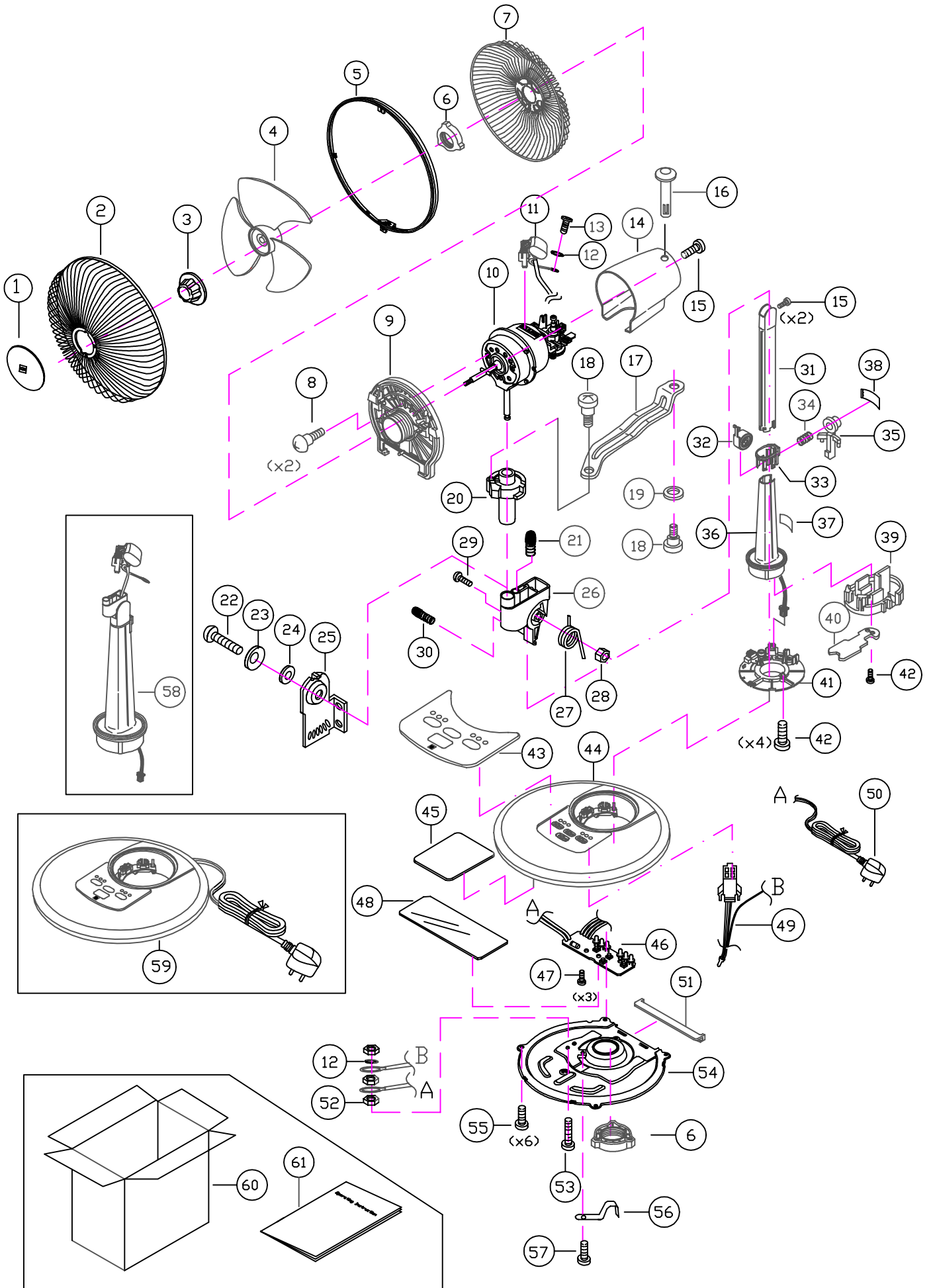
CONTENTS

PAGE

1. Parts Identification	-----	1
2. Parts List	-----	2
3. Instruction for motor replacement	-----	3

Parts Identification

Model : T30LS-C



PARTS LIST

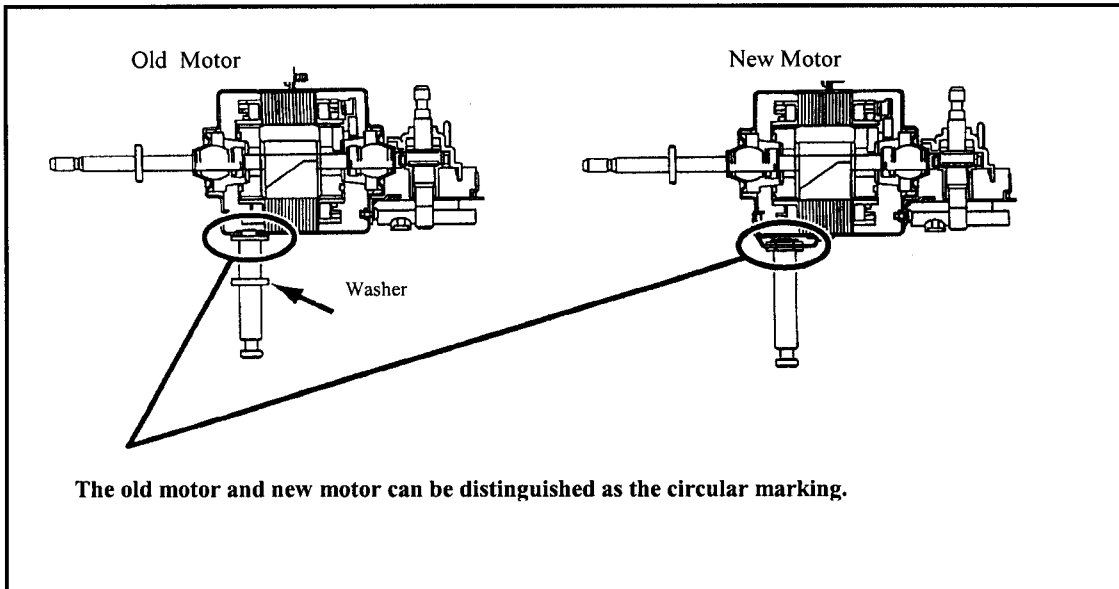
MODEL : T30LS-C

NO.	PART NO.	PART NAME	Qty	NO.	PART NO.	PART NAME	Qty
1	FFE09040301H	Guard Mark (Ivory)	1	41	FFE04040301H	Pole Cover	1
2	FFE09010301H	Front Guard (White)	1	42	XTB4+16C	Bind Tap Screw	5
3	FFE08079801H	Spinner (Black)	1	43	FFE04020301H	Panel (Ivory)	1
4	FFE08010301H	Blade (Crystal L. Gray)	1	44	FFE04010303H	Base (Ivory)	1
5	FFE09310301H	Guard Ring Assy (Ivory)	1	45	FFE04310301H	PCB Sheet	1
6	FFE02209802H	Guard Set Nut	2	46	FFE48000301H	Circuit Assy (PCBA)	1
7	FFE09020301H	Rear Guard (White)	1	47	XTN4+10C	PCB Setting Screw	3
8	FFE02229801H	F.O.C Cover Scw	2	48	FFE04360301H	Insulation Film	1
9	FFE02210301H	Front Outer Cover (Ivory)	1	49	FFE12250301H	Earth Wire Assy	1
10	FFE01010302H	Motor (220-240V)	1	50	FFE12100301H	Power Cord	1
11	FFE03950302H	Condenser Lead Assy	1	51	FFE04910301H	Edge Cover	1
12	XWA4B	Spring Washer	2	52	XNG4FBN	Nut	3
13	XSB4+8BN	Earth Screw (For Motor)	1	53	XSB4+12BN	Bind Screw (For Earth)	1
14	FFE03200301H	Rear Outer Cover (Ivory)	1	54	FFE04990301H	Bottom Plate	1
15	XTB4+8FFX	Bind Tap Screw	3	55	XTB4+12C	Bind Tap Screw	6
16	FFE03069802H	Clutch Nut (White)	1	56	FFE12269801H	Pole Lock	1
17	FFE03130301H	Rod	1	57	FFE04550301H	Star Head Screw	1
18	FFE03169801H	Rod Setting Screw	2	58	FFE04120304H	Pole Set (Ivory)	1 Set
19	FFE05089801H	Rod Set Washer	1	59	FFE04110304H	Base Assembly	1 Set
20	FFE05029801H	Upper Part	1	60	FFE80010304H	Carton Case	1
21	FFE05330322H	Double Osci B&S Assy	1	61	FFE80130302H	Instruction	1
22	XST6+18	Truss Scw	1				
23	FFE02040301H	Washer	1				
24	FFE04090301H	Conical Washer	1				
25	FFE05040301H	Holding Plate	1				
26	FFE05010301H	Knee Joint (Ivory)	1				
27	FFE05420301H	Angle Adjust Spring	1				
28	FFE04080301H	Nylon Nut	1				
29	XTT4+10CFX	Yoke Set Screw	1				
30	FFE05330301H	Free Neck B&S Assy	1				
31	FFE04520301H	Slide Pipe (Ivory)	1				
32	FFE04780301H	Slide Spring	1				
33	FFE04650301H	Pole Cap (Ivory)	1				
34	FFE05720301H	Slide Button Spring	1				
35	FFE04630301H	Slide Button (Ivory)	1				
36	FFE04030301H	Pole (Ivory)	1				
37	FFE00500303H	Name Plate	1				
38	FFE04960301H	Notice Label	1				
39	FFE04530301H	Flange	1				
40	FFE04540301H	Flange Sheet	1				

Instruction for motor replacement

* Old motor has been used since 2005 and will be used up after 35,000sets. New motor will then be used afterward.

* The difference between old motor and new motor is illustrated hereunder:



*** Caution of motor replacement :**

1. Service center, repairing the relative model of electrical fan. Please remove the washer first if new motor is installed to replace the old motor.

See arrow: The washer should be removed before installing the new motor to the machine.