



SAFETY PRECAUTIONS

安全注意事項 NHỮNG PHÒNG NGỪA VÀ MỤC ĐÍCH AN TOÀN

Be sure to read and follow these safety directions... 請務必詳細閱讀及遵守安全指導

Be sure to observe the following safety precautions in order to avoid possible injury to yourself or others and damage to your belongings. 請務必嚴格遵守以下說明之注意事項...

- WARNING 警告 CẢNH BÁO: This term warns you that death or serious injury may result by incorrect operation of the product.
CAUTION 小心 CHÚ Ý: This term cautions you that injury or physical damage to property may result by incorrect operation of the product.

Precautions are classified using the following symbols. 應遵守的事項有以下分類並由下列圖示來區分及說明。

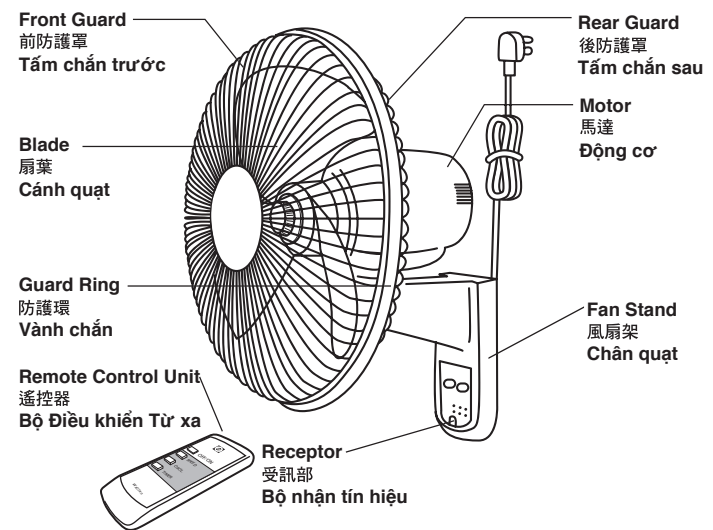
- Symbol with white background denotes a PROHIBITED action. 白色背景的標記表示有行為被禁止。
This symbol denoted action that are compulsory. 此標記表示有行為是強制性的。

WARNING 警告 CẢNH BÁO

- Never try to take apart, repair or modify this product. 切勿擅自拆散、修理或改造。
Do not damage power cord or main plug. 切勿破壞電源線或插頭損壞。

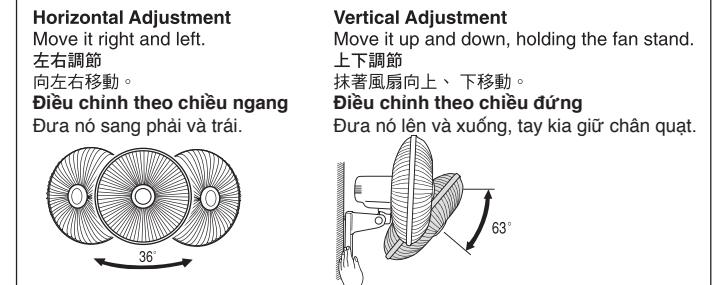
- Do not connect this unit to power supply other than designated country rated voltage. 不要連接本機至非指定國家的額定電壓的電力供應。
Do not contact with water. 不可讓風扇沾水。

NAME OF PARTS / HOW TO OPERATE 各部件名稱及使用方式 TÊN CÁC BỘ PHẬN / CÁCH THAO TÁC



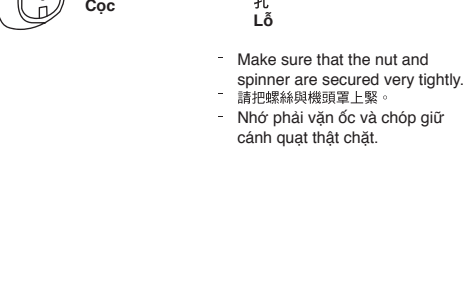
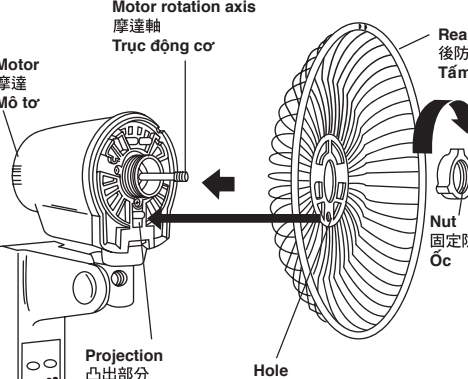
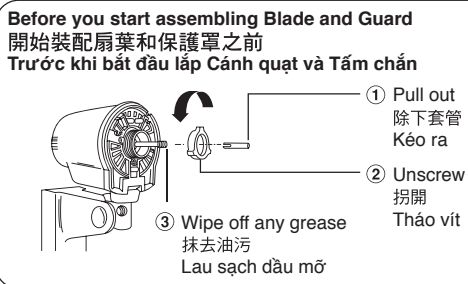
\* Control panel is slightly heated with power plug connected. (A slight amount of current flows in control circuit.)
\* 當插頭接上電源時，面板會輕微發熱。(有少量的電流流入控制電路。)

ADJUSTMENT OF WIND DIRECTION 風向調節 ĐIỀU CHỈNH HƯỚNG GIÓ

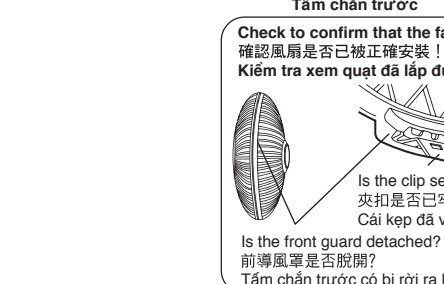
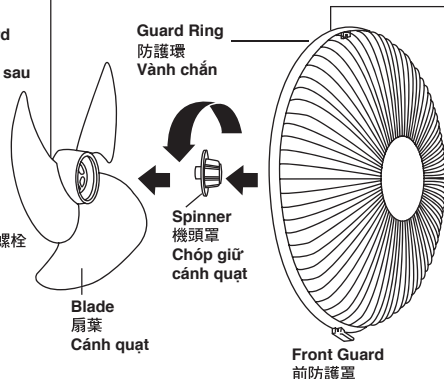
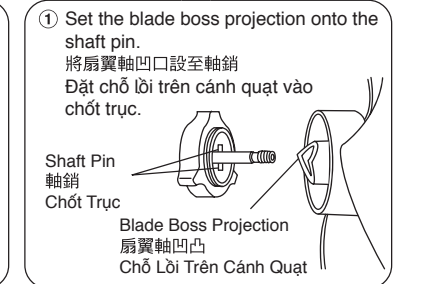
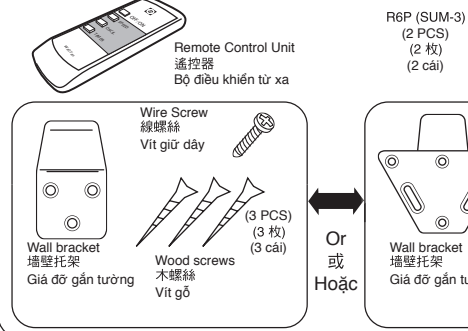


- If the fan doesn't stop at the desired position. 如果風扇在指定的位置不停。
If the fan doesn't stop at the desired position. 如果風扇在指定的位置不停。

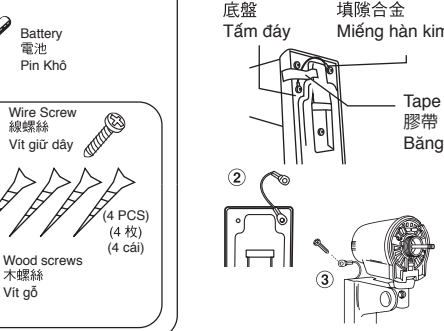
HOW TO ASSEMBLE 組裝方法 CÁCH LẬP



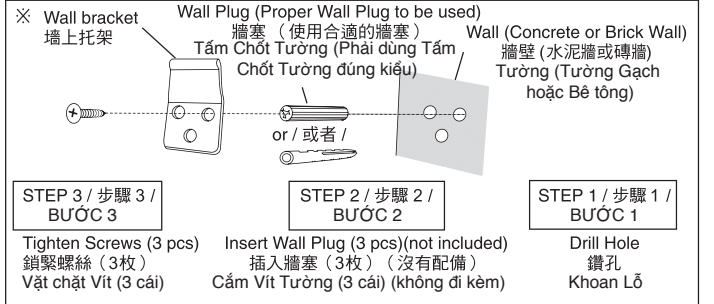
ACCESSORIES 附件 CÁC PHỤ KIỆN



SAFETY WIRE INSTALLATION GUIDE 保險絲安裝指導

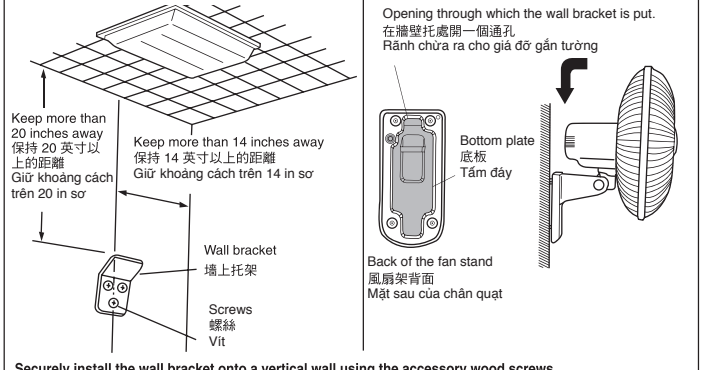


INSTALLATION 安裝 LẮP ĐẶT



- STEP 1 / 步驟 1: Drill Hole 鑽孔 Khoan lỗ
STEP 2 / 步驟 2: Insert Wall Plug 插入牆塞
STEP 3 / 步驟 3: Tighten Screws 鎖緊螺絲

1 Install the wall bracket to the wall 安裝牆壁托架



2 Install the fan stand 安裝風扇架

- Securely install the wall bracket onto a vertical wall using the accessory wood screws.
Do not put a power cord between the wall and the fan.