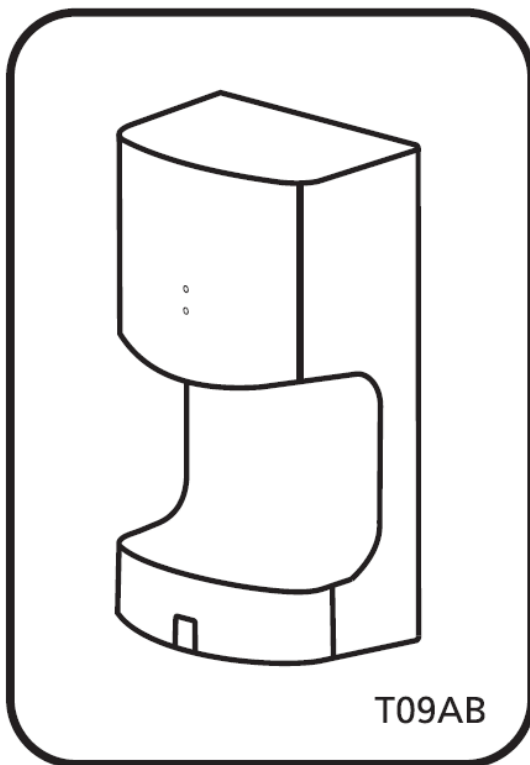




Hand Dryer 干手机

Instructions 说明书

Model
型号 **T09AB**



Contents	
目录	
Symbol Instructions	2
图例说明	
Installation Safety Instructions	3
安装时注意事项	
Installation Outline	6
安装方法	
Trial Instructions	9
检测方法	
Dimension of the Components	10
部件名称及尺寸	
Accessories	11
配件	
Component Names	12
部件名称	
Operating Safety Instructions	13
使用时注意事项	
Before You Start to Use the Product	17
开始使用本产品前的注意事项	
How to Use the Product	18
如何使用本产品	
Cleaning Procedures	19
清洁程序	
Wiring diagram	22
电气原理图	
Troubleshooting	23
问题解答	
Specifications	24
规格	

Thank you very much for choosing "KDK Hand Dryer".
Please read these instructions carefully before using the product and please keep this booklet safely for your future reference.

感谢您选用“KDK干手机”。

使用本产品前，请先详细阅读本说明书，并妥善保管以供将来参考用。

SYMBOL INSTRUCTIONS



图例说明

The following instructions should be strictly observed in order to prevent injury to the users and other persons, or damage to property.

为避免给您及其他人造成伤害，这里我们列出了以下安全注意事项，请务必遵守，各种标志的含义请参见以下内容。



- The degrees of injury or damage that can occur when the instructions are ignored and if the product is not used properly have been classified and described by the following indications.

如不遵守相关的安全指引使用本产品或使用不当，所引致的损伤或危害的程度，用以下标志进行分类和说明。

 WARNING 警告	Those things shown in this column indicate that there is possibility of causing death or severe injury. 本标志所表示的内容为“可能造成人员重伤或死亡”。
 CAUTION 注意	Those things shown in this column indicate that there is possibility of causing injury to the users or damage. 本标志所表示的内容为“可能造成人身伤害或其它物品损害”。

- Types of instructions that should be observed have been classified and described by the following pictorial symbols. (An example of a pictorial symbol is given below)

必须遵守的安全指引已分类，并用以下的标志来表示。(分别举例如下)

	This symbol indicates the item is "PROHIBITED" to do. 此标志表示为禁止事项。
	This symbol indicates the "COMPULSORY" item that must be followed without failure. 此标志表示为强制事项。



WARNING

警告

- Must not reconstruct the product under any circumstances.
禁止改装本产品。



Prohibited to
disassemble
禁止拆解

Combustion or abnormal operation may occur, causing fire or electric shock or damage.
会导致着火或操作异常，从而引起火灾或触电。

- Installation procedures must be carried out properly according to the instructions.
须按照本说明书的指示将干手机安装妥当。



Incorrect installation may cause fire or electric shock.
● Please ensure that installation has to be performed by a qualified electric engineer or technician.
安装错误会导致火灾或触电。
● 请确保安装工作由合格的电气技工进行。

- Do not install the product in areas with flammable gas or with flammable items.
切勿将本产品安装于有易燃气体或物品的地方。



Prohibited
禁止

May cause explosion or fire.
会引致爆炸或火灾。

- Ensure the screws or anchor plugs on the metal mounting plate are not connected to any metal plates on or behind the wall.

安装时，切勿将悬挂铁片的螺丝或机身挂钩连接于墙后的任何金属板上。



If they are connected to any metals, wires or stainless steel panel, fire could occur in the event of short circuit.

若底板的螺丝或机身挂钩连接任何金属、电线或不锈钢板，都可能会导致短路，从而引起火灾。



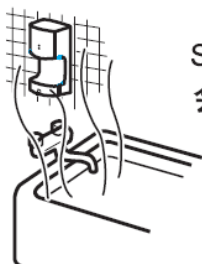
WARNING

警告

- Do not install in hot, humid and wet places such as bathroom.
切勿将本产品安装于高温、潮湿或会弄湿机身的地方，例如浴室。



Prohibited to use
in wet places
禁止在易湿
的地方使用



Short circuit may occur and lead to electric shock or fire.
会导致短路，引起火灾或触电。

- Do not install in outdoor areas or on an exterior wall of a building.
切勿将本产品安装在室外或建筑物外墙。



Prohibited
禁止



Short circuit may occur and lead to electric shock or fire.
会导致短路，引起火灾或触电。



CAUTION

注意

- Carry out the wiring work properly and safely in accordance with the technical standards for electrical installation and with the regulations on interior wiring.
安装电线的工序，必须按照有关技术标准进行，并遵照所有安装室内电线的条例和规定，确保妥善及安全。



Improper wiring work may lead to fire or electric shock.
电线安装不当会导致火灾或触电。



CAUTION

注意

- Install securely in a firm place.
必须稳妥地安装于牢固可靠的地方。



- It could cause injury by the unit falling down.
- Please refer to pages 6-8.
若本产品掉下来可能会导致受伤或机体损坏。
 - 请参照第6-8页。

Attention

- Please set the socket at the place where water could not splash to.
- Do not install the unit under direct sunlight.
(This may lead to warping or a malfunction.)
- Product should be installed on smooth walls.
(Installation on rough and uneven walls will result in different type of usage problems.)

请安装人员注意

- 请把电源插座设置在水溅不到的位置。
- 请勿将本产品安装于阳光直射的地方。
(否则会导致变形或失灵。)
- 主机应安装于平滑的墙身之上。
(若安装于凹凸不平的墙身会导致使用时出现各种问题。)

INSTALLATION OUTLINE

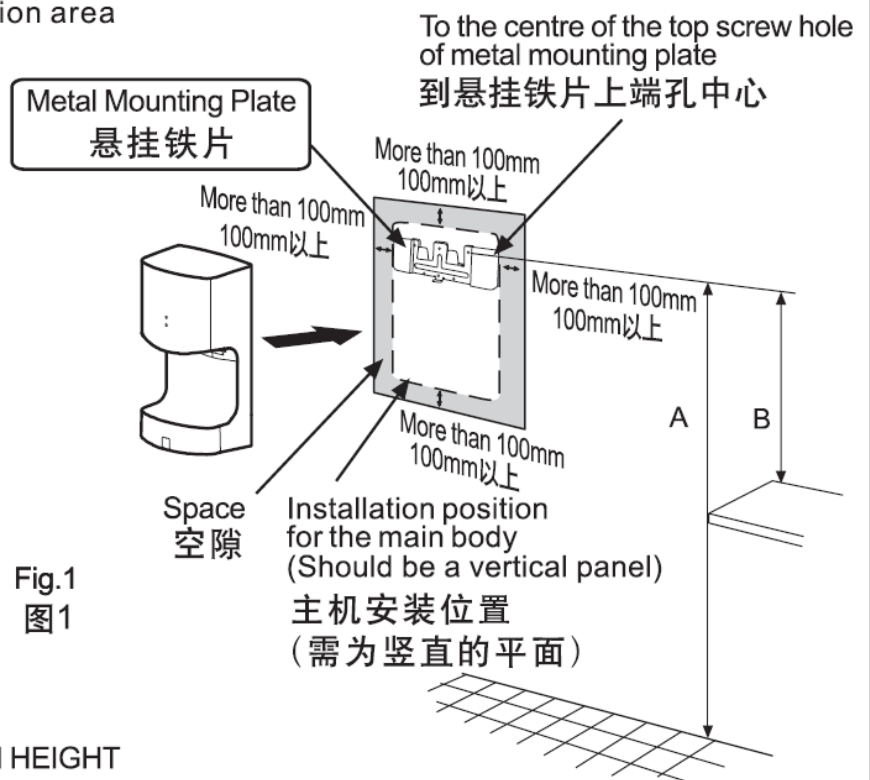
安装方法

(1) Preparations before installation

安装前先做好准备工作

Choosing the proper installation area

选择合适的安装位置



RECOMMENDED INSTALLATION HEIGHT

建议安装高度

(A) Toilets 厕所	Male 男士用	1220mm
	Female 女士用	1170mm
(B) Above the sink 洗手盆上方		500mm (Sink's height under 800mm) (洗手盆高度800mm以下)

If product is used by both male and female, it is recommended to apply the female installation height.
若男女共用，应以女士用的高度为佳。

- Mounting plate should be set up on a sturdy wall which should be vertical, to ensure the installation position for the main body and its surrounding 100mm apart is a vertical panel.
- 悬挂铁片的安装位置应选择一个牢固可靠的地方，并尽可能选择竖直的墙身，确保机体安装位置及其四周100mm的范围为一竖直的平面。

Attention

- Please read the "Installation Safety Instructions" carefully when installing the product. (Refer to page 3-5) and make sure to follow the dimensions specified in the above drawings for installation. Hand dryer should not be set up in areas nearby any flammable items. Besides, please leave an open space over 100mm on both side of the unit to ensure it is not surrounded by any obstacles.
- Avoid installing product where people might easily collide on it or where opening doors may smash on.

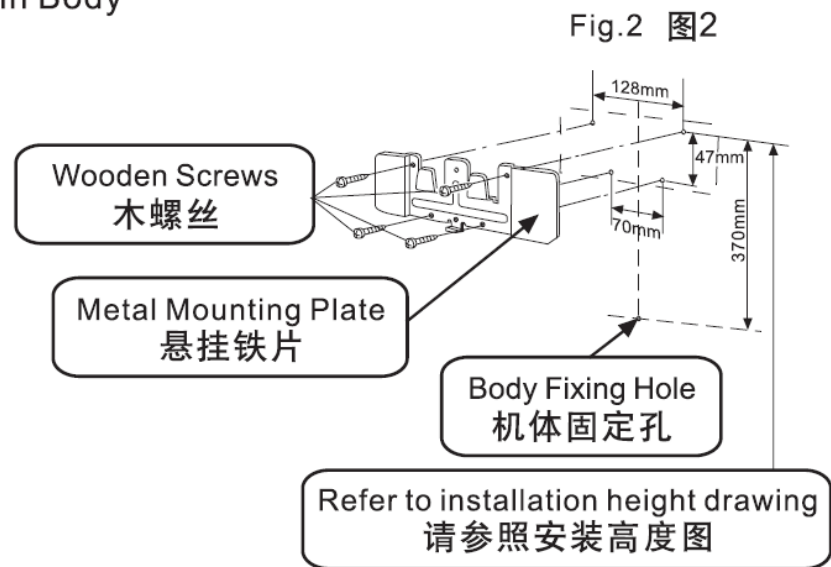
INSTALLATION OUTLINE

安装方法

请安装人员注意

- 安装时请严格遵守[安装时注意事项](参照第3-5页)。请确保遵照上页图的距离指示，令干手机与旁边的墙壁或易燃物品保持100mm的安全距离。同时，机身左右两旁需留有空间，不可被墙壁或任何物品包围。
- 请避免安装于人们容易碰撞机身的地方；也要避免安装于机身会被门碰到的地方。

(2) Installation of the Main Body 安装主机



1 Install the mounting plate with wooden screws (4 pcs.). 用木螺丝(4颗)安装悬挂铁片。

- When Installing on a Concrete Wall
 - ① Choose an area on the wall for setting up the mounting plate and fix the position with the anchor plug.(4 out of 6 installation holes)
 - ② Use the concrete drill to drill the bottom hole, drive in the screw anchor and attach with a screw. (For the screw anchor plug, please use the 4mm, which is available on the market.)
- 安装于混凝土墙上
 - ① 在墙上选出安装悬挂铁片的地方，并确定机身挂钩的位置。(共有6个安装孔眼，只需用4个)
 - ② 用冲击钻在墙上钻出底孔，装入胶塞，用螺丝固定悬挂铁片。(请用4mm胶塞，市面很容易买到)

2 Adjust the length of the power cord on the main body. 调节连接主机的电源线长度。

Set the length of the power cord according to the distance from the main body to the socket, and place the leftover cord in the cord housing box properly.

- Make sure not to bend the power cord roughly when placing the cord into the cord housing box.
- There are two induction places at each side of the main body backside, please lead the power cord at the side that is more close to the socket.
- The power cord should be withheld on the corresponding cord holding place and leaded from the under direction of main body naturally.(Fig 3)
- Please do not set the socket below the main body, water may spill out to the socket when cleaning the water tray unit.

请根据主机与插座的距离设定电源线长度，将过长的电源线适当捆扎后收藏于电源线盒内。

- 收藏电源线于电源线盒内时请确保电源线无异常弯曲。
- 主机背部左右两侧各设有一个电源线引出位，请选择离电源插座较近的一侧引出电源线。(图3)
- 电源线须扣在机体后面相应的扣位上，并使其自然从机体下方引出。
- 切勿把插座设在主机下方，否则在清理水盆积水时水可能溢出触及电源插座。

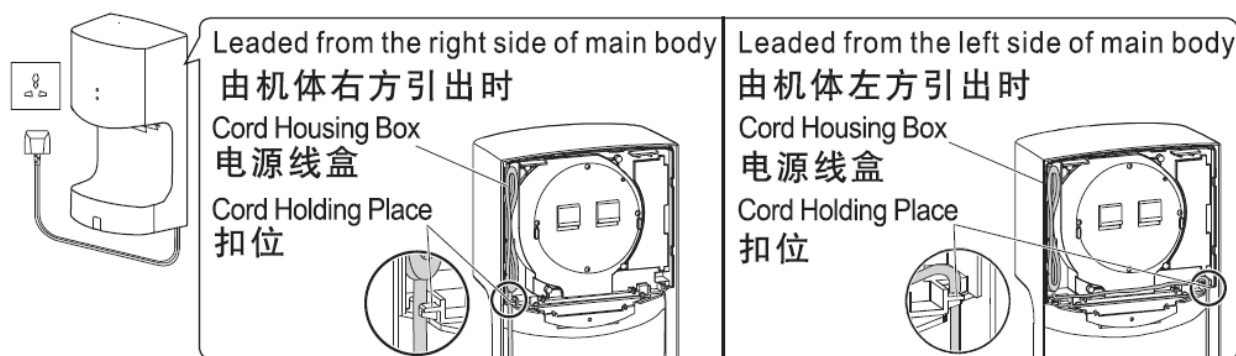


Fig.3 图3

3 Fix the main body firmly. 将主机妥善固定好

- ① Press the fastener at the bottom of the main body and take out the water tray unit from the main body (Refer to page 21), then install the main body onto the metal mounting plate.
 - Please make sure power cord should not be extruded by the main body.
 - ② Use the attached wooden screw(1 pc.) to fix the main body onto the wall.(Important)
 - ③ Fix the water tray unit back to the main body until a clicking sound is heard.
- ① 按下主机下面的扣位拉出盛水盆组合(参照第21页),将主机妥善紧扣于悬挂铁片。
 - 请注意确保电源线不受机体的挤压。
 - ② 用所附的木螺丝(1颗)将主机固定于墙上。(重要)
 - ③ 将盛水盆组合装回主机上直到听到一下咔嚓声表示装好。

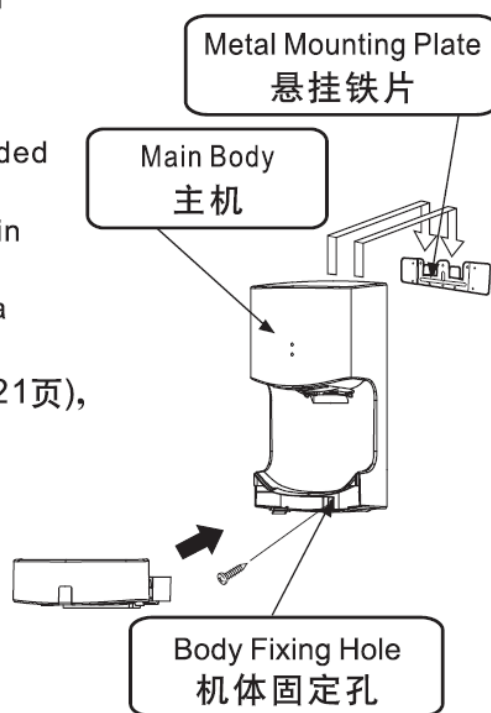


Fig.4 图4

TRIAL INSTRUCTIONS

检测方法

Trial Operation

操作测试

Connect the power plug to power source (230V~ 50Hz).

将电源插头插入电源插座中(230V~ 50Hz)。

● Please carry out the following checks.

- ① Press the power switch "ON", make sure the "Power" light is on and "Check" light is off. (Fig.5)
- ② Make sure the unit goes into operation when hand is inserted under the blowing nozzle and stops when hand is withdrawn.
- ③ Change the heater switch, make sure the outlet wind is cool when the heater switch is on "COOL" position, and it is hot when the heater switch is on "HOT" position. (Fig.6)

● 请进行以下各项检查：

- ① 请将电源开关按[开](ON)及确保电源指示灯亮起。(图5)
- ② 将手放在吹风管口下即有风吹出，将手移开吹风便停止，即可确认这干手机运转正常。
- ③ 切换凉热风开关，确认在“凉风”状态下机器吹出的风为凉风，并在“热风”状态下机器吹出的风为热风，即可确认干手机凉热状态切换正常。(图6)

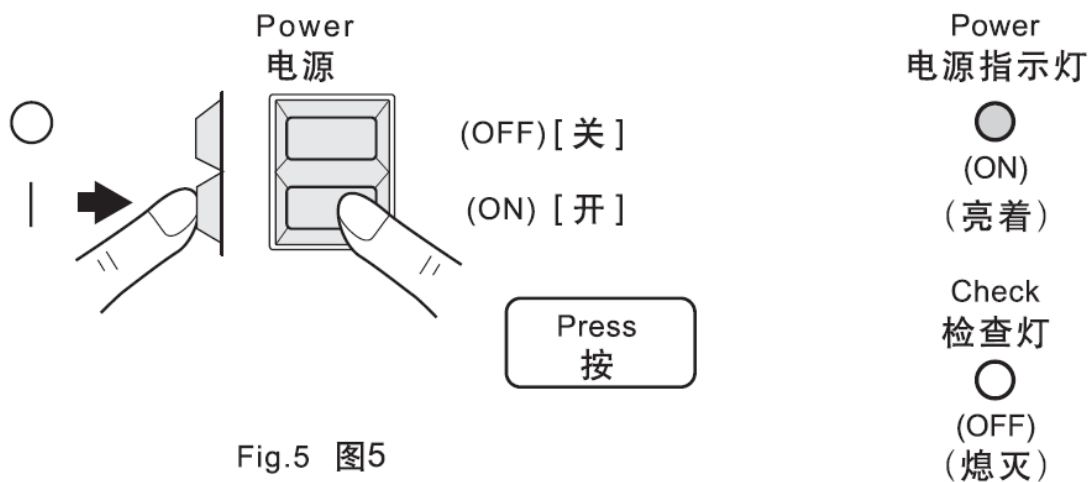


Fig.5 图5

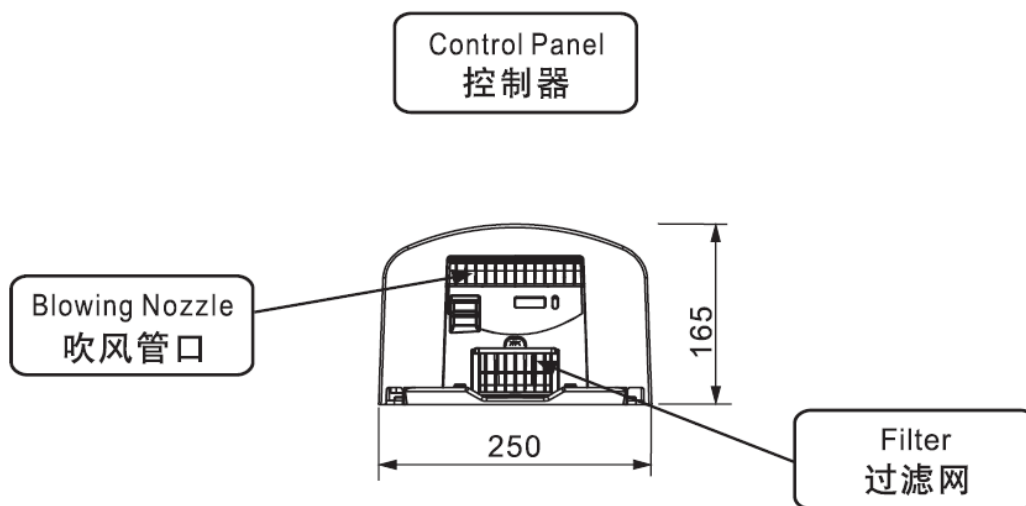
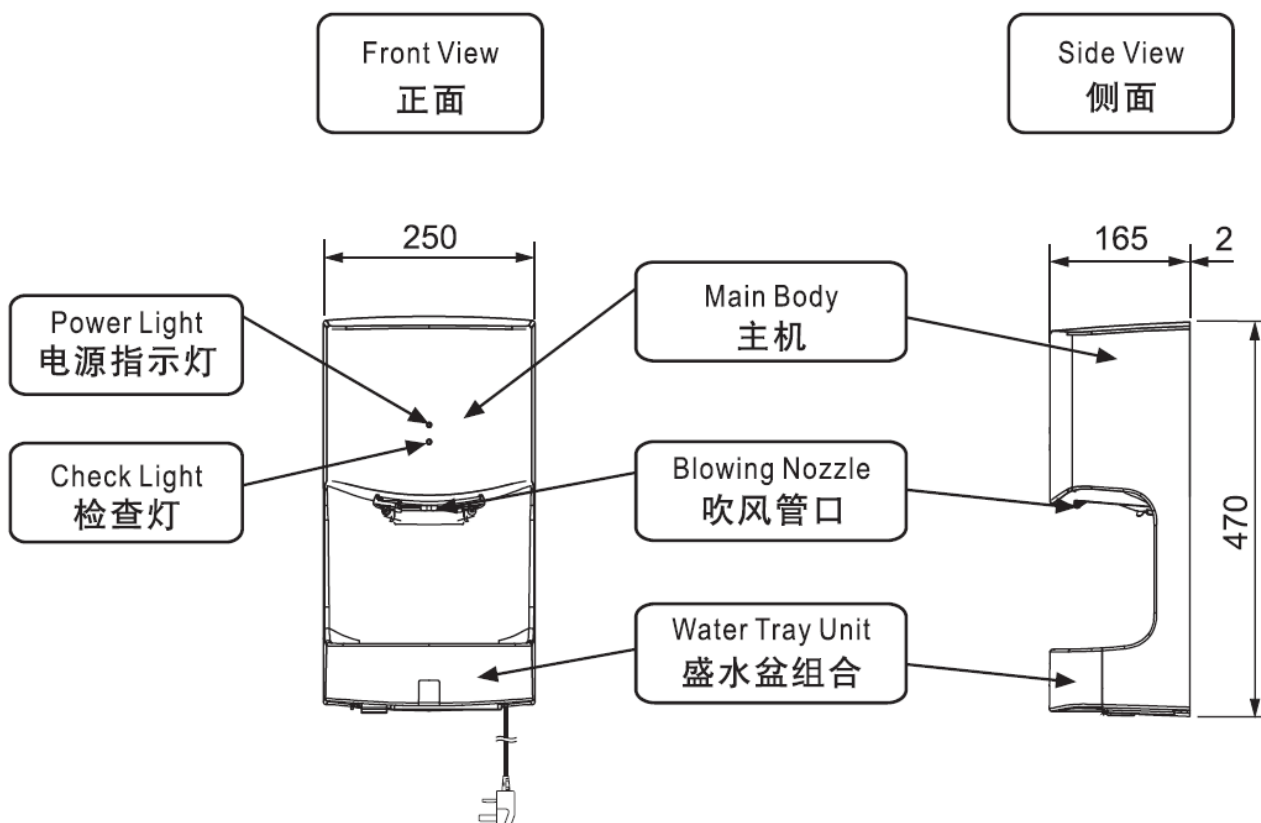


Fig.6 图6

DIMENSIONS OF THE COMPONENTS

部件名称及尺寸

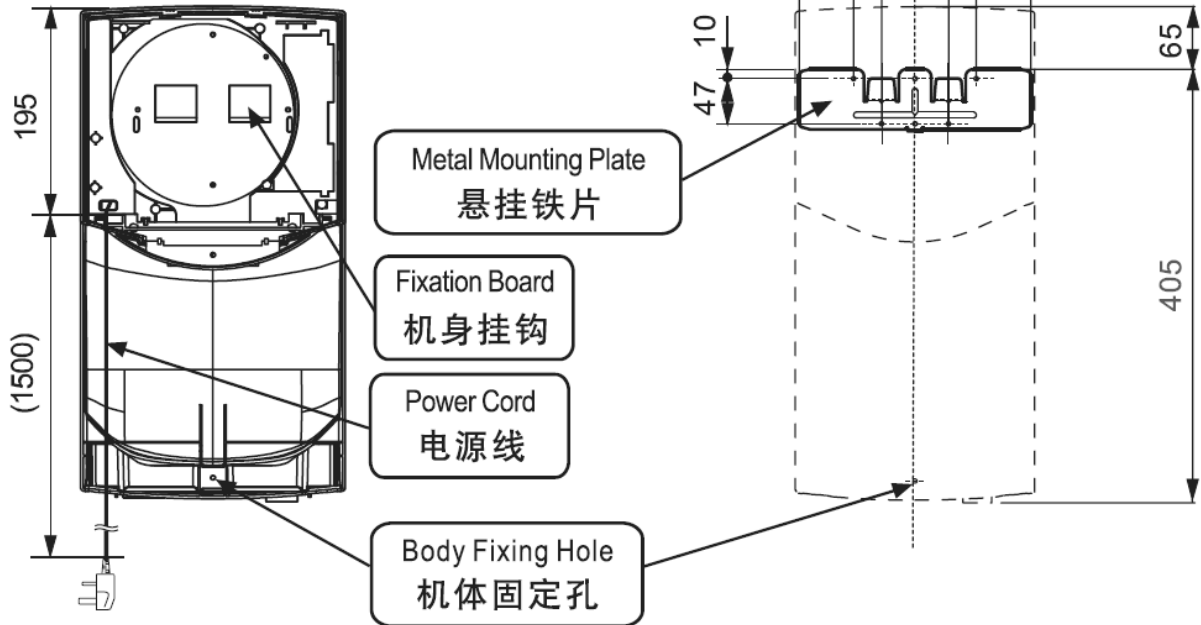
Unit:mm
单位:mm



Unit:mm
单位:mm

Back View
后面

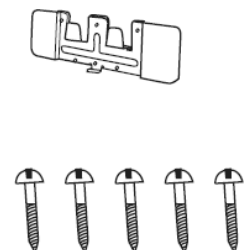
Detail Drawing of the Clamp Face
挂墙装置详图



■ Accessories
配件

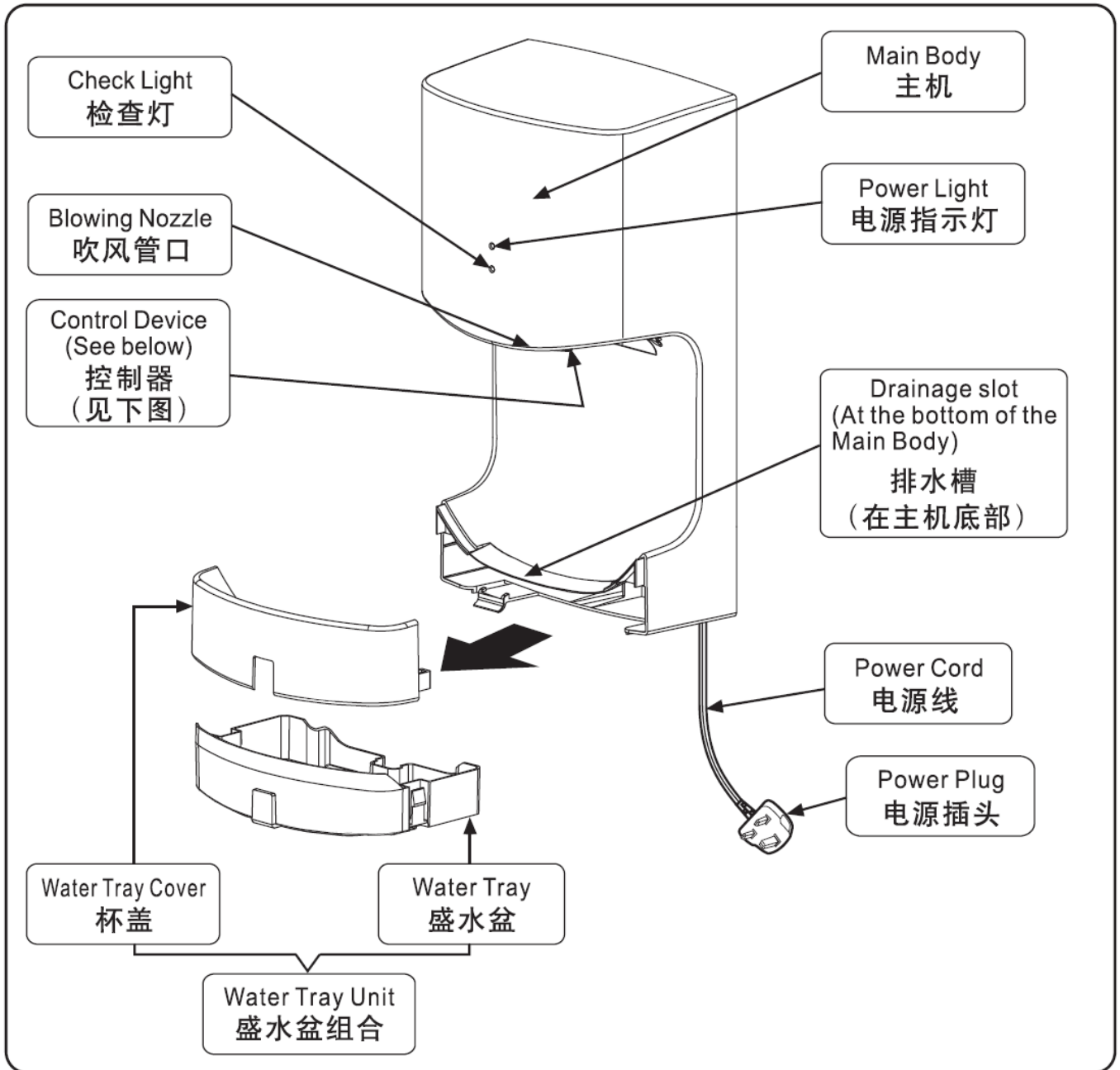
- Metal Mounting Plate----- 1 piece
悬挂铁片----- 1块
- Wooden Screw ($\phi 3.8 \times 20\text{mm}$)--- 5 pcs
(4 pcs for attaching the mounting plate)
refer to page 7. (Fig.2)
(1 piece for attaching the main body)
refer to page 8. (Fig. 4)
木螺丝(直径3.8 x 20mm)--5颗
(4颗用以固定悬挂铁片)参照第7页(图2)。
(1颗用以固定主机)参照第8页(图4)。

Enlarged
放大图



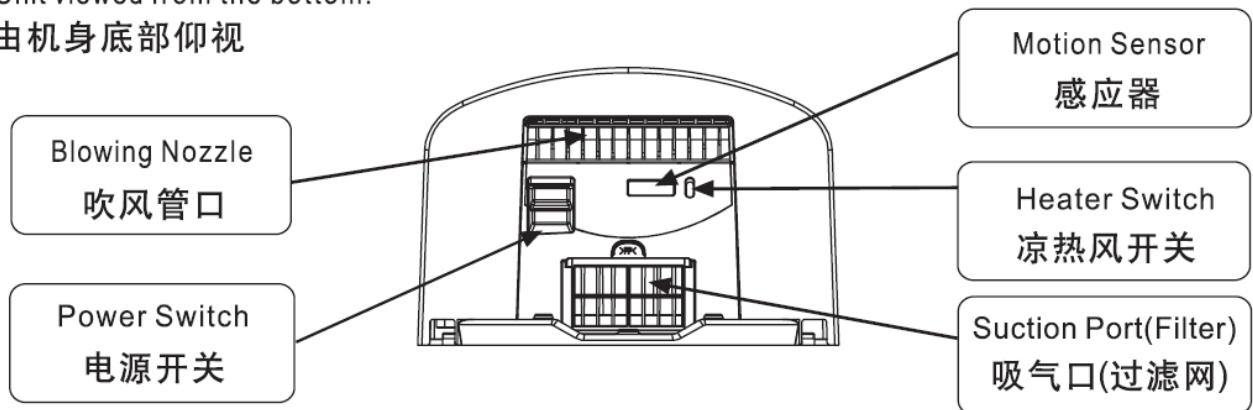
COMPONENT NAMES

部件名称



Control Device 控制器

Unit viewed from the bottom.
由机身底部仰视





WARNING

警告

- Must not disassemble the unit for repair or reconstruction under any circumstances.
禁止自行拆解干手机进行修理或改装。



Prohibited to disassemble
禁止拆解

- Combustion or abnormal operation may occur, leading to fire or electric shock.
 - Please contact with an authorized service center whenever problem is encountered.会导致着火或操作异常，从而引起火灾或触电。
 - 如需维修，请向您购买本产品的商家查询。

- Make sure to disconnect the power plug before cleaning.
清洁时必须先拔掉电源插头。



Disconnect power plug
拔掉电源插头

- It may cause injury or electric shock.
可能会导致受伤或触电。

- Insert the power plug properly.
电源插头必须插妥，要完全插入并紧贴插座。



- Electric shock or fire may be caused if the power plug is not fully inserted.
 - Do not use a damaged plug or a loose socket.如电源插头未完全插入插座，通电所产生的火花会导致触电或火灾。
 - 切勿使用已损坏的电源插头或松脱的插座。

- Keep the power plug clean and dust-free.
请定期清洁电源插头上的灰尘。



- Fire may be caused from poor insulation owing to moisture or accumulation of dust on the plug.
 - Disconnect the power plug before wiping with a dry soft cloth.
 - Unplug the unit if it will not be used for a long period of time.电源插头受潮或铺满灰尘会导致绝缘不佳，易导致火灾。
 - 请先拔掉电源插头，然后用干软布拭抹干净。
 - 如本产品将停用一段颇长的时间，请把电源插头拔掉。



WARNING

警告

- Power cord or power plug should not be damaged in any circumstances.
(Do not scratch, work on or pull roughly)

不得作出任何会导致电源线或电源插头受损举动。

(切勿刮擦、改装或粗暴拉扯等)



Prohibited
禁止

Using a damaged cord or plug may result in electric shock, short circuit or fire.

- Please consult with an authorized service center for information on how to get the unit repaired.

使用已损坏的电源线或电源插头会导致触电、短路或火灾。

- 如需修理电源线或电源插头，请您向购买本产品的商家查询。

- Do not wash the unit directly with water.

禁止直接用水清洗机身。



Do not let the unit get wet
禁止弄湿机身

Short circuit will be caused and will lead to fire or electric shock.

会导致短路，引起火灾或触电。

- Do not operate the unit close to flammable materials (kerosene, gasoline, thinner, etc.)

禁止在易燃物品(石蜡油、汽油、稀释剂等等)附近使用本产品。



Prohibited
禁止

It may cause explosion or fire.

会引致爆炸或火灾。

- Do not insert the power plug with wet hands.

切勿用沾湿的手将电源插头插入插座。



Wet hands are prohibited
手湿时禁止接触电源

It may cause electric shock.

会导致触电。



WARNING

警告

- Do not insert any objects such as pins, needles or other metal items into the blowing nozzle or other openings.

切勿将任何异物(如钉、针或其他金属品)插入吹风管口或其他孔口。



Prohibited
禁止

Electric shock may be caused.

会导致触电。

- When disconnecting the power plug, hold the plug rather than pulling off by the cord.

拔掉电源插头时，应手持插头而非电源线。



Damaged cord could cause short circuit and lead to electric shock or fire.

电源线会损坏或断开，导致触电或火灾。

- If the supply cord is damaged, it must be replaced by the manufacturer or its service agent or similarly qualified persons in order to avoid a hazard.

如果电源线损坏，为避免危险，必须由制造厂或其维修部或类似的专职人员来更换。



CAUTION

注意

- Do not let anyone suspend to the unit.

切勿让任何人攀附机身。



Prohibited
禁止



Unit may fall down and cause injury.

机身会不胜负荷而下坠，引致受伤。

- Do not use the hands to block the blowing nozzle when the product is operating.

切勿在干手机运行时用手挡住吹风管口。



Prohibited
禁止

It could cause injury by the hot wind.

高温的风会引致手部受伤。

Instructions

请用户遵守以下指引

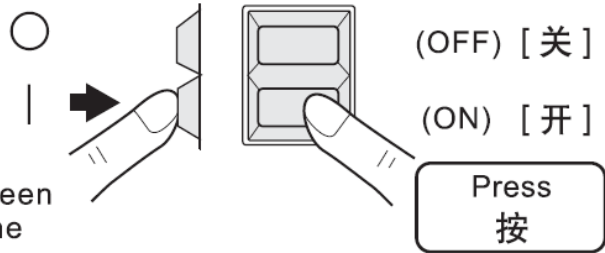
- Do not use in places where the temperature is at 40°C or above, or where humidity is excessive.
切勿在高温(摄氏40度或以上)或湿度高(有蒸气产生的地方)的地方使用本产品。
- Do not block the suction area or the blowing nozzle.
切勿堵塞吸气孔或吹风管口。
- Do not touch the unit with hands that are contaminated with chemicals.
切勿用沾有化学品的手触摸机身。
- Make sure water tray unit is attached to the main body before using.
使用本产品时,请确保装上盛水盆组合。
- Empty the water tray before water rises to the drainage line.
盛水盆里的水须在其高出排水刻度线之前排掉。
- Do not place or operate a radio nearby the hand dryer. Electromagnetic wave will be produced by the hand dryer which will affect the radio's reception.
Distance at which electromagnetic wave produce varies according to the radio's reception.
请勿在距离本产品太近的地方摆放及开收音机, 以免引起电磁波干扰。
受影响的距离视收音机的接收情况而异。
- This appliance is not intended for use by persons(including children) with reduced physical, sensory or mental capabilities, or lack of experience and knowledge, unless they have been given supervision or instruction concerning use of the appliance by a person responsible for their safety.
本产品不适合有残障、智障或精神障碍的人士, 或缺乏经验、常识者(包括儿童)维护使用, 除非在监护人的看护或指导下使用。
- Children should be supervised to ensure that they do not play with the appliance.
应确保儿童不要把本产品当作玩具玩。
- A statement to the effect that when the product is no longer to be used, it must not be left in the place but removed, to prevent it from possible falling.
当干手机不再使用, 为防止意外掉落, 应予以拆除。

BEFORE YOU START TO USE THE PRODUCT

开始使用本产品前的注意事项

Insert the power plug.
Turn the power switch "ON".
The power light goes on .
将电源插头妥善插入电源插座
电源开关要按[开](ON)
电源指示灯亮起

(Control Device)
(控制器)
(Below the main unit)
(由底部仰视)
Power
电源



Note:

- ① Confirm the power switch " ON " state:
 - Make sure whether the power switch has been pressed to the end position completely if the switch is hard to press.
- ② " Check " light indicator:
 - " Check " light indicator will spark or turn on when there is a malfunction or abnormal operation.

注意:

- ① 确认电源开关[开](ON)状态:
 - 在电源开关难按的情况，确保开关[开](ON)位置已经确实按下。
- ② 检查灯:
 - 当出现故障或主机失常时，检查灯便会闪烁或者亮着。

Normal 正常	Abnormal 故障
Power 电源指示灯	Power 电源指示灯
● (ON) (亮着)	● (ON) (亮着)
Check 检查灯	Check 检查灯
○ (OFF) (熄灭)	● (Spark or ON) (闪烁或亮着)

Heater switch setting

[COOL] ---- The heater does not work and the motor works.
(The blowing wind will become warm after the motor runs some time, and this feeling will be different depending on the room temperature.)

[HOT]----- The heater works and the motor works.

凉热风设定

[凉风]-----加热器不工作，马达运转。(马达运转产生的热量会令吹出的风有一定温度，并因不同的室温而不同。)

[热风]-----加热器工作，马达运转。



Note:

- The setting also can be changed when the product is operating.

提示:

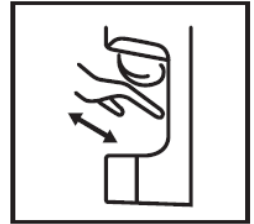
- 在机器运转中也可以切换凉热风状态。

HOW TO USE THE PRODUCT

如何使用本产品

- (1) Place the back of your hands underneath the blowing nozzle to remove water droplets
Turn hands down and slowly place your hands in and out of the machine.

请将手背放在吹风管口下以吹干水分
手背向上并且慢慢地来回移动。



Note:

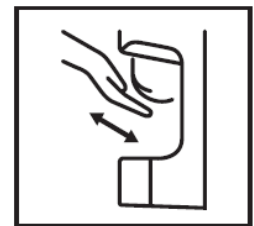
- The operation is controlled automatically by the motion sensor.
Air comes out from blowing nozzle automatically when hand is placed underneath the sensor, and stops when the hand is withdrawn.

注意:

- 吹风操作由感应器自动控制。
只要将手放在吹风管口下，风便会自动吹出，将手移开便会停止吹风。

- (2) Remove water droplets in palms
Turn hands up and slowly place your hands in and out of the machine.

吹干手掌的水分
手心向上并且慢慢地来回移动。



- (3) Rub and dry your hands
Rub your hands for the final step.
(This action can dry the moisture left between your fingers.)

双手互擦
轻轻摩擦双手。(此动作可吹干手指之间的水分)



Note:

- The dryness of the hands vary with factors such as temperature and humidity level of the room, and also with the level of wetness on hands.
- Since the blowing wind is relatively strong it may cause water droplets splashing if fingers are pointing upward.
- Auto-Stop Function
Auto-stop function will terminate the operation of hand dryer if it is used for continuously 60 seconds. If you wish to continue using the product, please remove your hands from the unit and reinsert them underneath the blowing nozzle.
- Product consumes about 1W when it is in " Standby Mode".

HOW TO USE THE PRODUCT

如何使用本产品

注意：

- 干手的速度和效果会受不同的因素影响而有差异，例如房间的温度和湿度；以及手的沾湿程度等等。
- 由于所吹出的风十分强劲，若手指向上便会令水点溅向自己。
- 防止使用不当的功能
当本产品持续使用约60秒后，其防止使用不当操作的功能便会启动，自动终止运转，暂停吹风。如需继续使用干手机，请先将手移开，然后再将手放回吹风管口下，便可重新启动吹风功能。
- 只要干手机的电源开关按了[开](ON)，即使不运转，也会有约1W的待机能耗。

CLEANING PROCEDURES

清洁程序

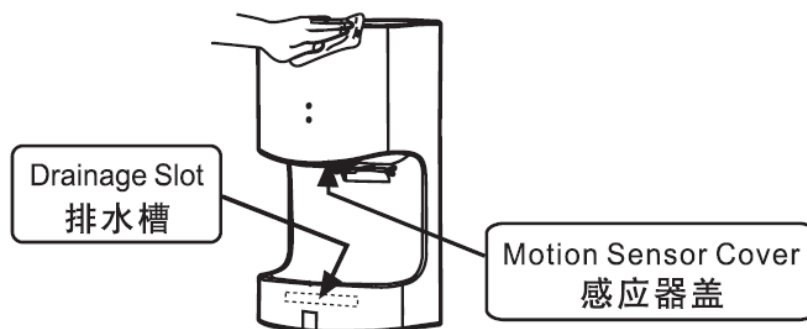
Cleaning the Main Body (Once or Twice a Month)

清洁主机(每月1至2次)

Dip a soft cloth to lukewarm water or a diluted neutral kitchen cleanser. Wring water / cleanser out well, wipe off the dirt and wipe the unit again with dry soft cloth.
Please ensure the motion sensor cover and drainage slot are clean all the time to avoid misfunctional operation and clogging.

将软布用温水或稀释了的(中性)厨房清洁剂中弄湿，取出后拧掉水分，用以抹去污渍，然后再用一块柔软的干布抹拭便可。

特别要确保感应器盖及排水槽清洁。(若感应器盖肮脏，会导致感应失灵。若排水槽肮脏，则会导致淤塞。)



- This product contains antimicrobial material, please do not clean the unit with chemical such as thinner, alkaline cleansers, benzene, alcohol, antifungal agents or metallic scrubbing brushes, preventing influencing the performance of antimicrobial or color change of the main body.
- When using a chemical cloth, please follow the instruction before cleaning.

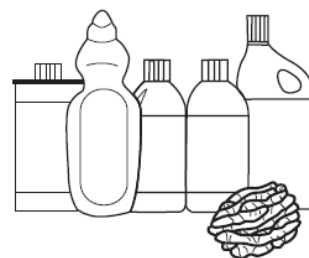
Cleaning the Main Body (Once or Twice a Month)

清洁主机(每月1至2次)

- 本机体含抗菌成份，为避免影响抗菌性能或导致机身变色，请勿使用各种稀释剂、碱性清洁剂、苯、酒精、杀菌剂或钢丝球等等。
- 如使用化学性抹布，请遵照其使用指示来清洁本产品。



Prohibited
禁止



- Thinner, Alkaline Cleanser, Benzene, Alcohol, Antifungal Agent, Metallic Scrubbing Brush.
- 稀释剂，碱性清洁剂，苯，酒精，杀菌剂，钢丝球。

Cleaning the Water Tray Unit (Once or Twice a Week)

清洁盛水盆组合(每周1至2次)

Instructions

请用户遵守以下指引

- Please clean up the water accumulated in the water tray before it rises above the drainage line.
- 请在盛水盆里的积水高出排水刻度线之前排掉。
- Cleaning up the water tray once or twice a week is strongly recommended. Odour may be generated even though the water tray is not filled.
- 即使积水未达到排水刻度线位，也会因肮脏而发出异味，请每星期排水及清洁盛水盆1至2次。

(1) Remove the water tray unit from the main body. 从主机取出盛水盆组合。

Press the fastener and draw the water tray unit out toward you.

按下主机底部的扣位将盛水盆组合拉向自己便可将之拉出。

Request

请用户遵守以下要求

When removing the water tray unit from the main body, hold the water tray unit firmly while pressing the fastener and pull it out. Since the water tray filled with water is rather heavy, it is dangerous that the water tray unit will drop or the water will splash out.

从主机取出盛水盆组合时，请一手按住机体下方的扣位，另一手抓紧盛水盆组合拉向自己便可。由于盛水盆内可能已装满积水，即有一定的重量，故取出盛水盆组合时要小心，防止盛水盆掉下或者水从盆中溢溅出来。

Cleaning the Water Tray Unit (Once or Twice a Week)

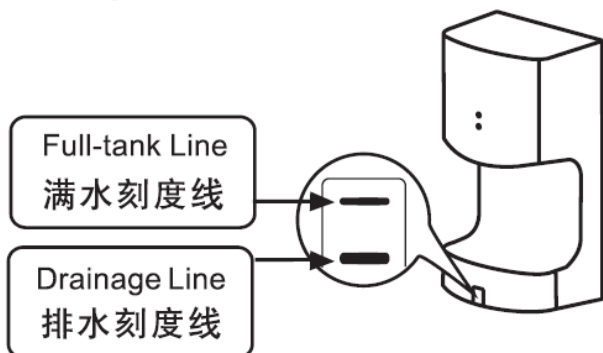
清洁盛水盆组合(每周1至2次)

■ How to Remove the water tray unit

如何取出盛水盆组合进行清洁

- Drain after removing the water tray unit from main body.

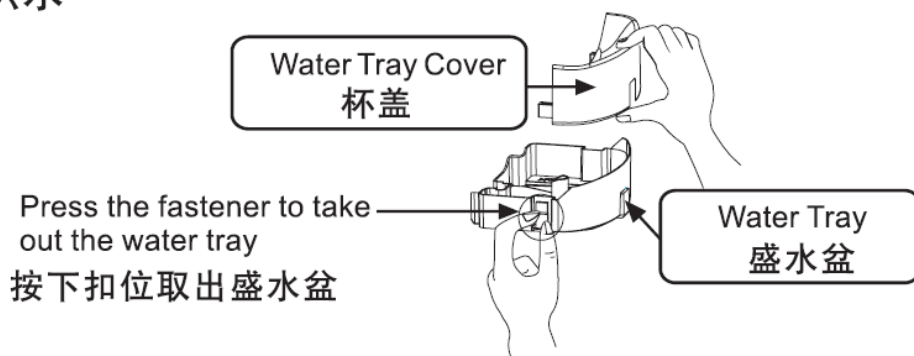
先取出盛水盆组合才排水。



Press the fastener
按下扣位

(2) Empty the accumulated water in water tray unit.

倒掉盛水盆积水

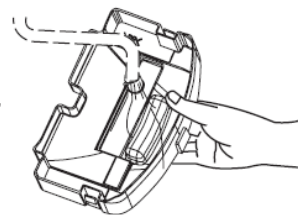


(3) Detach the water tray cover and rinse the dirt away with water.

取出杯盖并用水冲净污垢

When the dirt is especially dense, please remove it with a soft cloth. Please remove the water drops from water tray after rinsing.

若盛水盆积聚了许多污垢,请用软布抹掉。冲洗盛水盆后,请保持盛水盆清洁。



(4) Put on the water tray cover and attach the water tray unit to the main body.

盖好杯盖并将盛水盆组合装回主机

Please attach the water tray unit firmly to the main body.

将盛水盆组合装回主机,并确保牢固稳妥。



Cleaning the Filter (Once or Twice a Week)

清洁过滤网(每周1至2次)

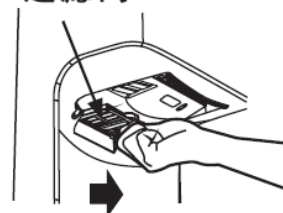
When the filter becomes clogged, air volume will decrease and drying efficiency will be affected.
若过滤网堵塞,会导致风力下降,干手时间延长。

- Make sure to disconnect the power source before removing the filter.
取出过滤网时必须先切断电源。

(1) Remove the filter from the main body 从主机取出过滤网

The filter is attached to the control device. (Refer to page 12)
过滤网连接于控制器上。(参照第12页)

Filter
过滤网



(2) Remove the dust with a vacuum cleaner 用吸尘器将灰尘吸掉

Please do not clean the filter with water, because it will deteriorate the filter mildewproof performance. Do not clean the filter with metallic scrubbing brushes or other stiff tools to prevent staving of the filter.

※ After being used some time, the color of filter will change from yellow to brown, this change will not affect its mildewproof function.

不可用水清洗,因为水会破坏过滤网的防霉性能;不可用钢丝球或其他硬质工具来清洁以免把过滤网弄破。

※ 使用一段时间后,过滤网的颜色会从黄色变成茶色,这种材质颜色的变化并不影响其防霉性能。

Filter
过滤网 Vacuum Cleaner
吸尘器

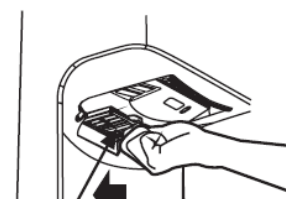


(3) Attach the filter to the main body 将过滤网安装回主机

Hold the filter by the nib and fit into the main body until a clicking sound is heard.

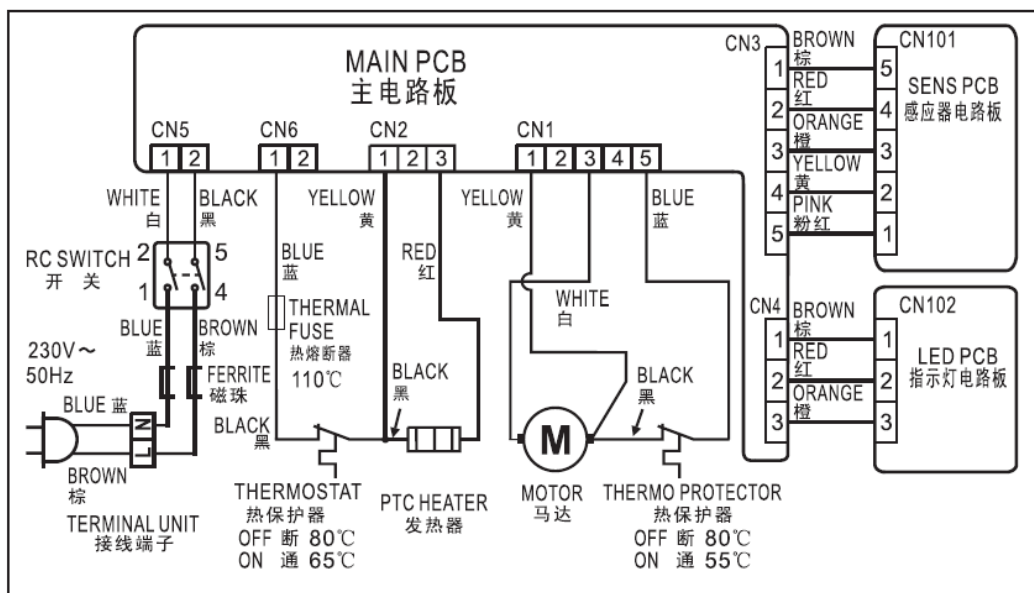
捏着过滤网的把手,将之嵌回原位,听到一下咔嚓声即表示装好。

Filter
过滤网



WIRING DIAGRAM

电气原理图



TROUBLESHOOTING

问题解答

Please conduct an examination according to the chart below. If the problem still exists after the following inspection, make sure the power is disconnected and contact the authorized service center immediately on how to repair the product.

请先按照下表进行测试，如果问题仍然未能解决，请确保已将电源插头拔掉，然后立即向您购买的商家要求修理。

Phenomenon	Check point	Solution	Page No.
The unit is not operating when hands are inserted under the blowing nozzle.	Is the "Power " light off?	Turn the power switch on.	17
	Is there any object placed on the water tray unit?	Remove the object from the water tray unit.	21
	Is the hand away from the motion sensor's action area?	Please place the hand near to the motion sensor.	
	Is the motion sensor cover dirty?	Clean the motion sensor cover.	19
	If the unit still not work after completing the above procedures?	Turn the power " OFF " , unplug and contact an authorized service center on how to get the unit repaired.	23
The "Check " Indicator "Spark or ON"	Turn the power " OFF " , unplug and contact an authorized service center on how to get the unit repaired.		23

问题	检查点	解决方法	参照页码
手放入吹风管口下面没风出	电源指示灯是否熄灭?	请将电源开关按[开](ON)。	17
	主机盛水盆组合上方是否有异物?	请将异物清除。	21
	手是否离感应器太远?	请将手移近感应器。	
	感应器盖是否肮脏?	清洁感应器盖。	19
	如完成以上程序后仍未能正常操作?	请将电源开关按[关](OFF), 拔掉电源插头, 并联络您购买的商家进行修理。	23
检查灯闪烁或亮着	请将电源开关按[关](OFF), 拔掉电源插头, 并联络您购买的商家进行修理。		23

SPECIFICATIONS

规格

Rated Power Supply	230 V~ 50 Hz	
Power Consumption	Hot	Cool
	1040W	610W
Electrical Current	4.6A	2.7A
Product Weight	4.3 kg	
Product Dimensions	470mm (Height) X 250mm (Width) X 165mm (Depth)	
Cord Length	About 1500mm	

- Power consumption and current values are recorded with a room temperature of 25°C.
- Product consumes about 1 watt. when it is in " Standby Mode " .
- Motor life duration is about 7 years,calculated by assuming 9 seconds per person, 200 persons use the product per day.
Motor life duration may be shorten when used in areas with higher voltage.

电源	230 V~ 50 Hz	
功率	热风	凉风
	1040W	610W
电流	4.6A	2.7A
净重	4.3 kg	
尺寸	470mm (高) X 250mm (宽) X 165mm (深)	
电源线长度	约 1500mm	

- 若室温为摄氏25度时，测的功率和电流值如上所述。
- 只要干手机的电源开关按了[开](ON)，即使不运转，也会有约1W的待机能耗。
- 马达寿命约为7年(以每人使用9秒，每天200人次使用计算)。
若在电压偏高的地方使用本产品，马达寿命可能会短些。

Important Information(Fill out this form for future reference.)

重要资料(请将下列表格填好，以便日后检查及维修用。)

Date of Purchase 购买日期	Year Month Day 年 月 日	Model No . 型号	
Name of store where purchase 购买商家		Telephone No . 电话号码	
Name of service/repair person 维修人员姓名		Telephone No . 电话号码	