



Operating Instructions

操作说明书

MODEL

型号

15WHPA

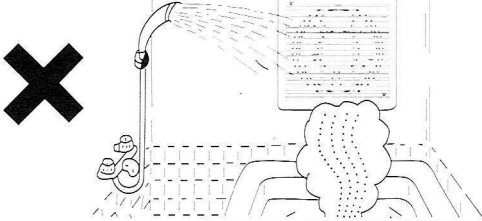
Before operating this product, please read these instructions completely.

使用前请仔细阅读说明书，以便正确使用。

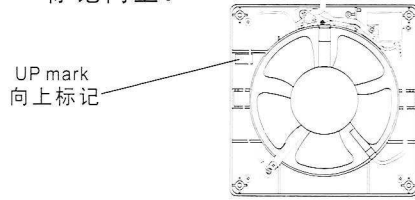
Installation cautions

安装注意事项

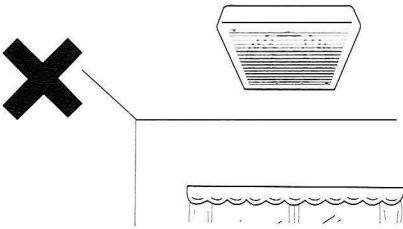
- 1** Do not install the fan exposed directly to water or excessive steam.
不要把换气扇安装在直接暴露于水或过分潮湿的地方。



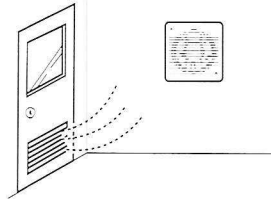
- 5** Install the fan so that the UP mark on the frame points upward.
安装换气扇使在换气扇框架上的UP（上）标记向上。



- 2** Do not install the fan on the ceiling.
不要把换气扇安装在天花板上。

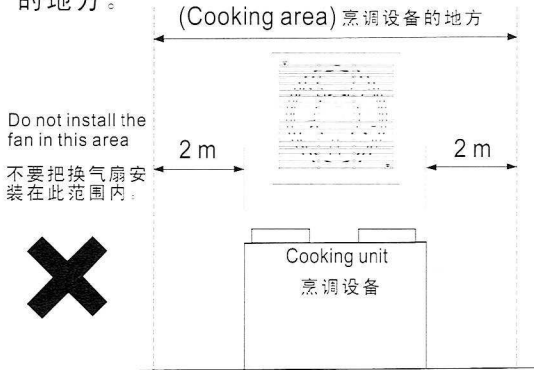


- 6** Be sure to provide an appropriate for air intake.
必须安装在有通风口的地方。

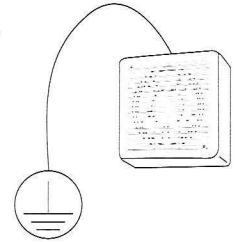


- 3** Do not install the fan near the cooking unit in a kitchen.
不要把换气扇安装在接近厨房烹调设备的地方。

不要把换气扇安装在接近厨房烹调设备的地方。



- 7** This fan must be grounded.
必须使换气扇接地。



- 8** For this fan, precautions must be taken to avoid the back-flow of gases into the room from the open flue of gas or other flue-burning appliances.
在安装换气扇时，请采取适当的措施以防止气体从一般的排气管或炊具排气管倒流回室内。

- 9** Do not install the fan in areas where a large amount of oily smoke is produced.
不要把换气扇安装在有大量油烟产生的地方。

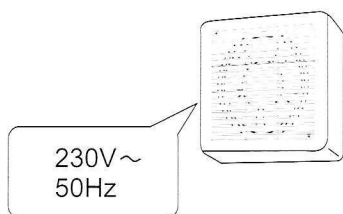
- 10** The fan should be installed by a qualified person.
此换气扇必须由合格技工安装。

- 11** This fan can be mounted in outside faced window from the inside of room.
此换气扇可以从室内安装在外窗户上。

- 12** Use a device for disconnection from the supply, having a contact separation of at least 3 mm in all poles.
安装时，需在供电线路中安装其触点开距不少于3mm的双极断开装置。

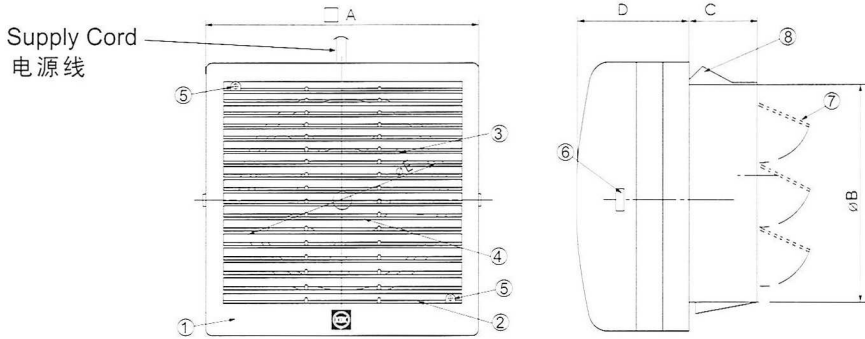
- 4** Operate the fan at the rated voltage and frequency indicated on the name plate.
需根据铭牌上已标明的额定电压及频率使用此种换气扇。

需根据铭牌上已标明的额定电压及频率使用此种换气扇。



Identification of parts; Measurements

零件名称; 尺寸



1	Louver	百叶窗
2	Orifice	面罩
3	Blade	扇叶
4	Spinner	旋钮
5	Screws	螺丝
6	Hook	固定扣
7	Shutter	风帘
8	Installation spring	安装弹簧

Measurements 尺寸

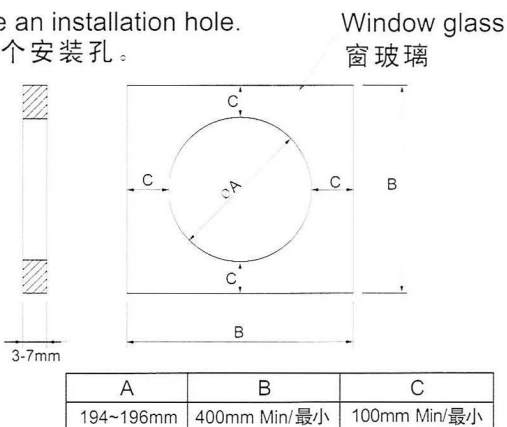
A	224
B	185
C	60
D	97
E	160

Unit: mm
单位: 毫米

How to Install

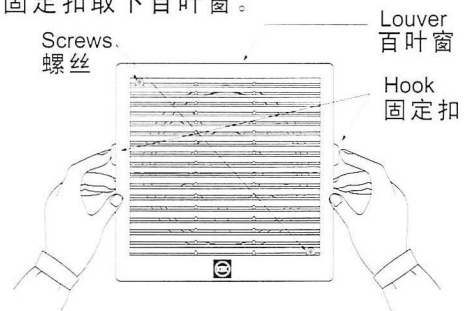
如何安装

- 1** Make an installation hole.
开一个安装孔。



- 3** Remove the louvre by removing the two screws and then pressing the hooks using both hands.

取下百叶窗上2个螺丝, 然后用双手按压固定扣取下百叶窗。

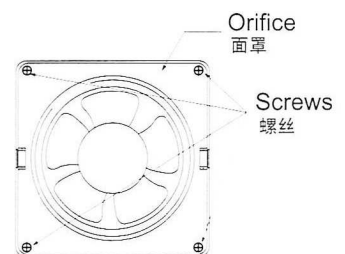


- 2** Mount the supplied plastic gasket so that the seam is on the upper half (either left side or right side) of the hole, never positioned on the vertical center part. Adjust the length so that there is no gap at the joint. Please seal the gap between glass and gasket by acetic silicon sealant to ensure the airtightness.

把安装塑料垫圈固定, 请务必把开口固定在孔的左上端或右上端, 不要把开口固定在中央位置, 请调整塑料垫圈的长度确定其接口之间没有间隙。请用玻璃胶填满玻璃与塑料垫圈之间的间隙, 以确保其密封性。

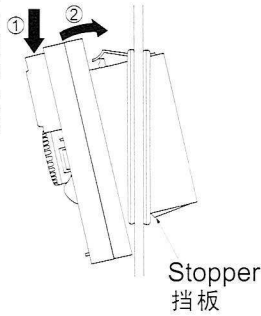


- 4** Remove the four screws and orifice
取下4个螺丝及面罩



- 5** To install the fan, hang the stopper at the bottom of the fan on the window glass so that the arrow on the UP mark points upward. Press the upper part of the fan to secure the installation spring. Carefully install so that the stopper is not in the gap in the plastic gasket.

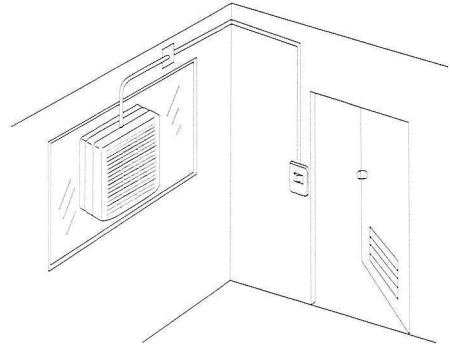
在安装换气扇时，把换气扇底部的挡板挂在窗玻璃上，使UP标记向上，按压换气扇的上部以确认安装弹簧牢固可靠。小心安装使挡板不在塑料垫圈开口上。



Operation 操作

Connect a wall switch (available on the market) to operate the fan. Use it as the power switch. (Turning on or off the wall switch opens or closes the electrical shutter and starts and stops the fan.)

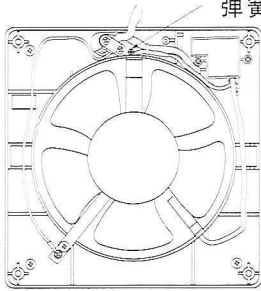
连接一个墙壁开关（市场上有售）作为本机的电源开关。（通过该开关的打开或关闭来操作换气扇和电动风帘的开启或停止）。



- 6** Tighten the spring lock screw to secure the frame.

打紧固定弹簧的螺丝来确保框架已被安装牢固。

Spring lock screw
弹簧螺丝

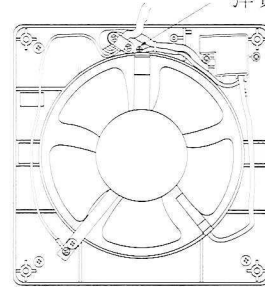


How to remove 如何拆卸

- 1** Remove the louver and orifice. Loosen the spring lock screw.

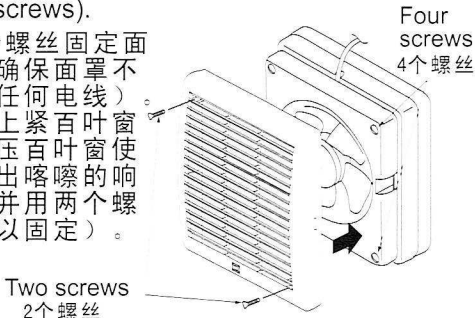
拆下百叶窗及面罩。松开弹簧螺丝。

Spring lock screw
弹簧螺丝



- 7** Secure the orifice with four screws (Make sure the orifice don't crimp any electrical wires). Then attach the louver (Push the louver until it clicks and secure it with the two screws).

用4个螺丝固定面罩（确保面罩不弄曲任何电线）。然后上紧百叶窗（按压百叶窗使其发出喀嚓的响声，并用两个螺丝加以固定）。

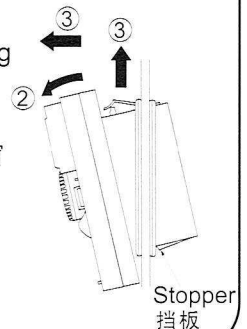


- 2** Hold the upper part of the frame and unlock the installation spring.

抓住框架上部向外拉出安装弹簧。

- 3** Raise the main unit and remove it while unlocking the stopper from the window.

向上托起机体，在从窗户上拉出挡板的同时，把机体拆下。



Maintenance Cautions

维护注意事项

WARNING

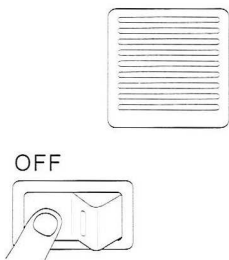
If the supply cord is damaged, it must be replaced by the manufacturer or its service agent or a similarly qualified person in order to avoid a hazard.

警告

如果电源软线损坏，为避免危险，必须由制造厂，其维修部或类似的专业人员更换。

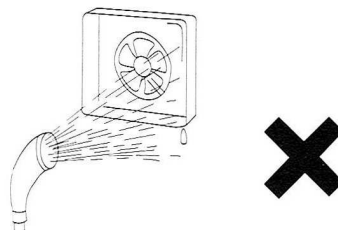
- 1** Disconnect the power supply until blade is stationary before clean and maintenance.

确认换气扇的电源已关闭且扇叶停止转动。



- 3** Do not allow water to contact the electrical parts, such as the motor.

请不要让水接触到电气部件，例如马达。



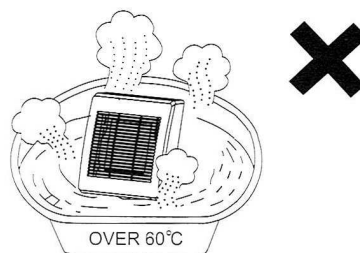
- 2** Never use petrol, benzene, thinner or any other such chemicals for cleaning the ventilating fan.

切勿使用汽油，苯，稀释剂或者任何类似的化学品清洗换气扇。



- 4** Do not immerse resin parts in hot water over 60°C.

请不要将塑料部件浸入60°C以上的热水中。



- 5** After cleaning, confirm that the fan has been reassembled correctly.

清洗后，确认正确地安装好了换气扇。

Specifications

规格

Model No. 型号	Voltage 电压 [V]	Frequency 频率 [Hz]	Power consumption 耗电量 [W]	Speed 转速 [R/M]	Air delivery 风量 [CMH]	Power factor 功率因数 [%]	Weight 重量 [Kg]
15WHPA	230	50	15	1580	150	93	1.7

Insulation class : E , IP code : IPX4 (outside)

绝缘等级：E级，IP号码：IPX4（外部）

Wiring Diagram

电气接线原理图

